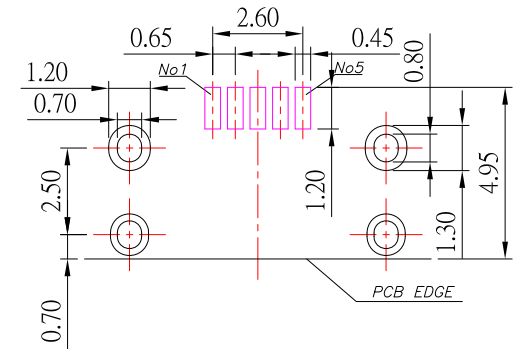
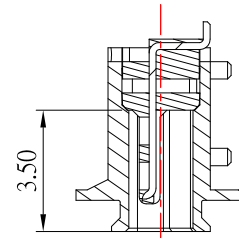
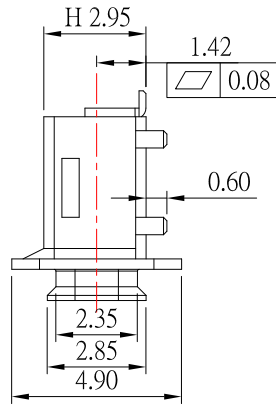
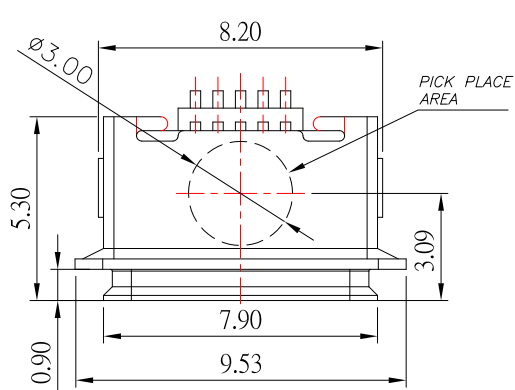
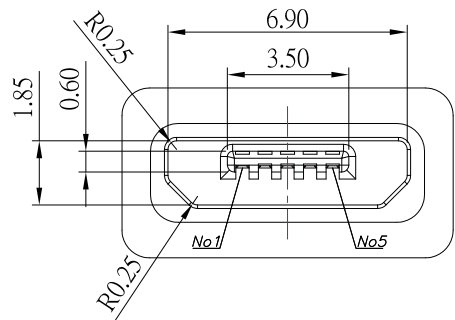


IPX7



P.C.B LAYOUT MOUNTING PATTERN



MRUSB-5B-WP10-x-S382

鍍層厚度:

| | |
|-------|--------|
| Blank | : 1u" |
| 2 | : 15u" |
| 3 | : 30u" |

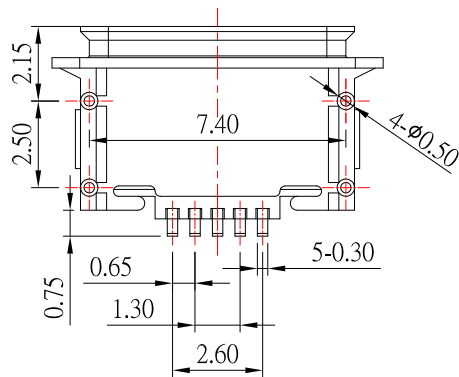
NOTES:

MATERIAL:

- 1.1 HOUSING: HIGH-TEMP
- 1.2 CONTACT: COPPER ALLOY
- 1.3 SHELL: SUS

FINISH:

- 2.1 CONTACT: PLATED GOLD IN MATING AREA ;
GOLD PLATED ON SOLDER BALLS ;
NICKEL UNDER PLATED OVERALL
 - 2.2 SHELL: NICKEL UNDER PLATED SURFACE LAYER
- 3.SPECIFICATION:
- 3.1 RATING: 1.8A(PIN1&5) , 0.5A(PIN2&3&4)
 - 3.2 DIELECTRIC WITHSANDING VOLTAGE: 100 VAC
 - 3.3 CONTACT RESISTANCE: 30 mΩ MAX.
 - 3.4 INSULATION RESISTANCE: 1000 MΩ MIN.



| | | | |
|----------|-------------|-------|--------|
| 3 | 新增O-RING料號 | Jack | 090920 |
| 2 | 更新圖面 | Jack | 090820 |
| 1 | 更新圖面 | Jack | 051418 |
| ITEM NO. | DESCRIPTION | DRAWN | DATE |

東莞市高迪電子有限公司
DONG GUAN GAO DI ELECTRONICS CO., LTD

TOLERANCE UNLESS OTHERWISE STATED:

| | |
|---------------|-------|
| Up to 5 | ±0.2 |
| Above 5 ~ 15 | ±0.3 |
| Above 15 ~ 30 | ±0.4 |
| Above 30 ~ 50 | ±0.5 |
| Angle | ±0.3° |

3RD. ANGEL'S



UNITS

MM

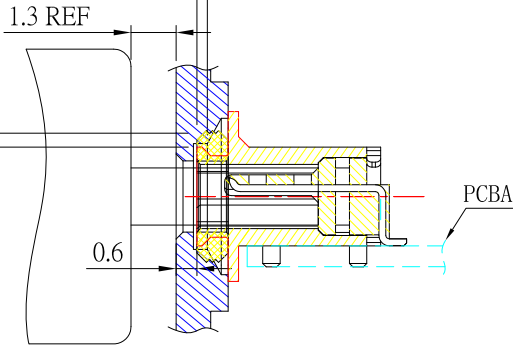
| | | | | |
|--------------|----------|-----------|----------|--------------------------------------|
| DRAWN BY: | DATE | MAT'L | TITLE | CONNECTOR |
| Jack Lu | 09/09/20 | | | |
| CHECKED BY: | DATE | FINISH | MODLE | MICRO USB 5PF B TYPE H 2.95 防水型 IPX7 |
| Jacky Chen | 09/09/20 | | | |
| APPROVED BY: | DATE | SCALE | DWG NO. | MRUSB-5B-WP10-x-S382 |
| Tony Kao | 09/09/20 | 1 : 1 | | |
| | | SHEET NO. | PART NO. | MRUSB-5B-WP10-x-S382 |
| | | 1 of 2 | | |
| | | | | SIZE A4 |
| | | | | VER R3 |

IPX7

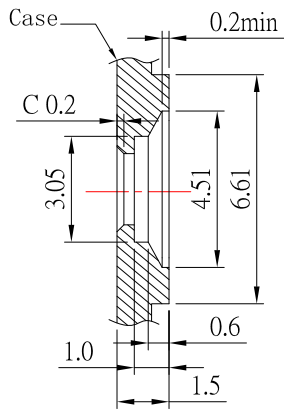
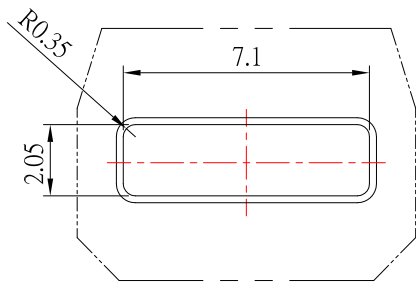
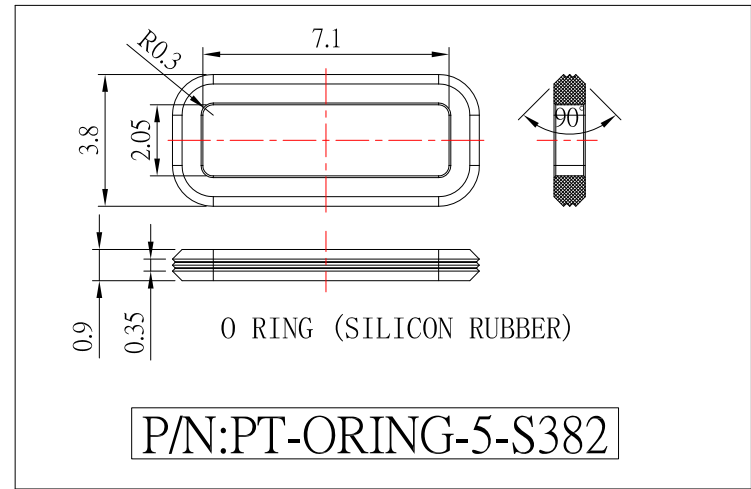


機殼面板對密封圈
為縮量0.40Min

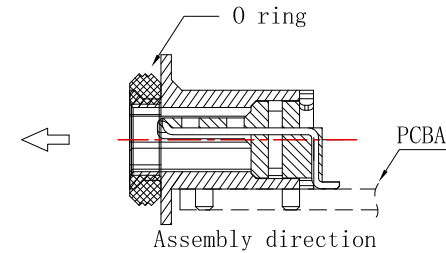
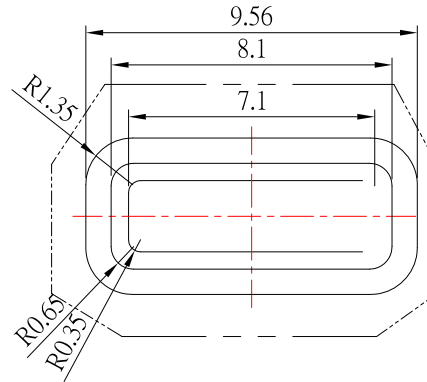
機殼面板對密封圈為縮量0.30Min
(建議壓縮量為密封圈直徑大小40~50%)



COMPRESSION RATIO TO BE 40%~50%



RECOMMENDED OPEN DIMENSION OF CASE



東莞市高迪電子有限公司
DONG GUAN GAO DI ELECTRONICS CO., LTD

TOLERANCE UNLESS OTHERWISE STATED:
Up to 5 ±0.2
Above 5 ~ 15 ±0.3
Above 15 ~ 30 ±0.4
Above 30 ~ 50 ±0.5
Angle ±0.3°

3RD. ANGEL'S

UNITS MM

| | | | | |
|--------------|----------|-----------|----------|--------------------------------------|
| DRAWN BY: | DATE | MAT'L | TITLE | CONNECTOR |
| Jack Lu | 09/09/20 | | MODLE | MICRO USB 5PF B TYPE H 2.95 防水型 IPX7 |
| CHECKED BY: | DATE | FINISH | DWG NO. | MRUSB-5B-WP10-x-S382 |
| Jacky Chen | 09/09/20 | | SCALE | 1 : 1 |
| APPROVED BY: | DATE | SHEET NO. | PART NO. | MRUSB-5B-WP10-x-S382 |
| Tony Kao | 09/09/20 | 2 of 2 | | |

| ITEM NO. | DESCRIPTION | DRAWN | DATE |
|----------|-------------|-------|----------|
| 3 | 新增O-RING料號 | Jack | 09/09/20 |
| 2 | 更新圖面 | Jack | 09/08/20 |
| 1 | 更新圖面 | Jack | 05/14/18 |